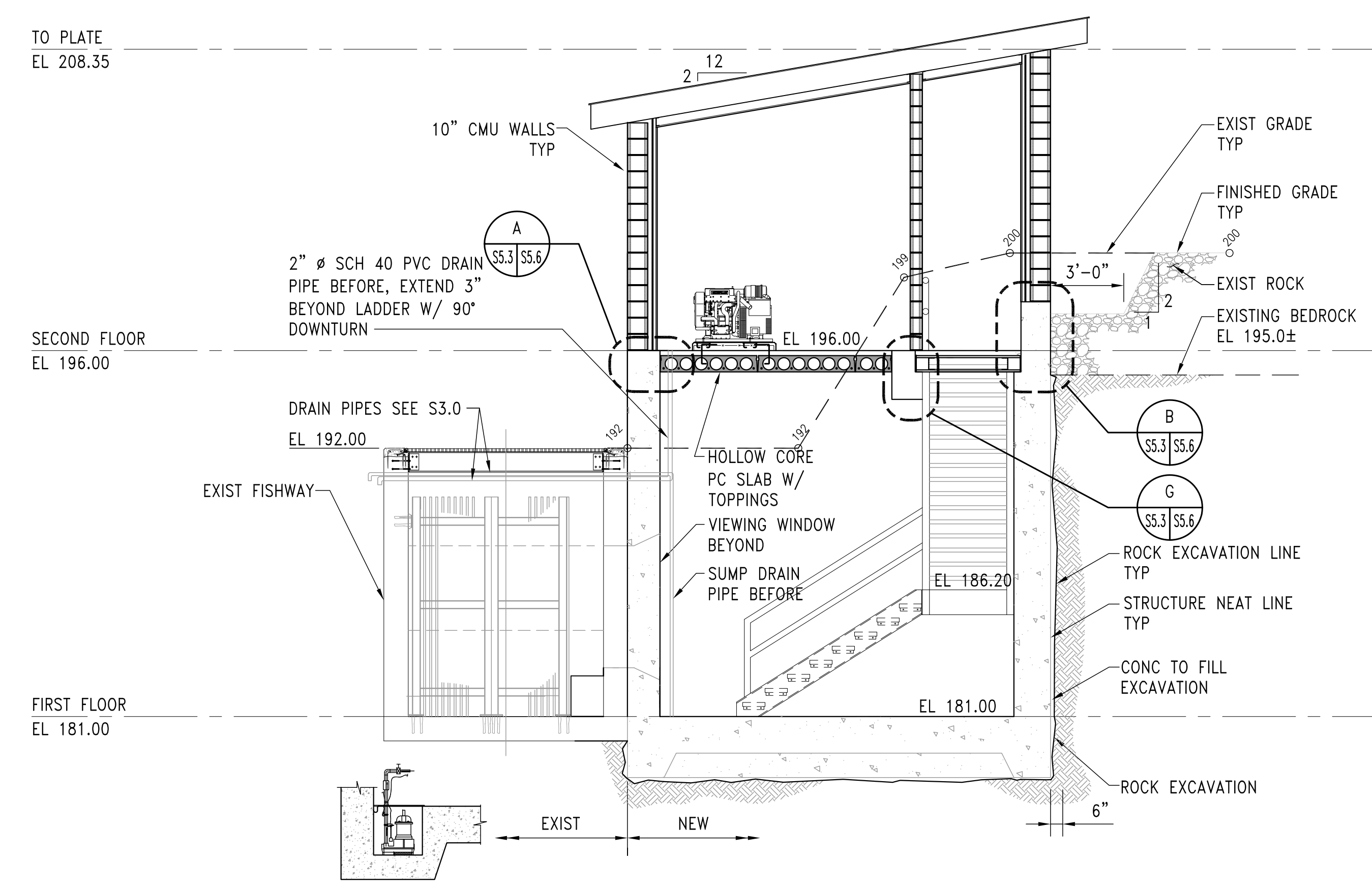
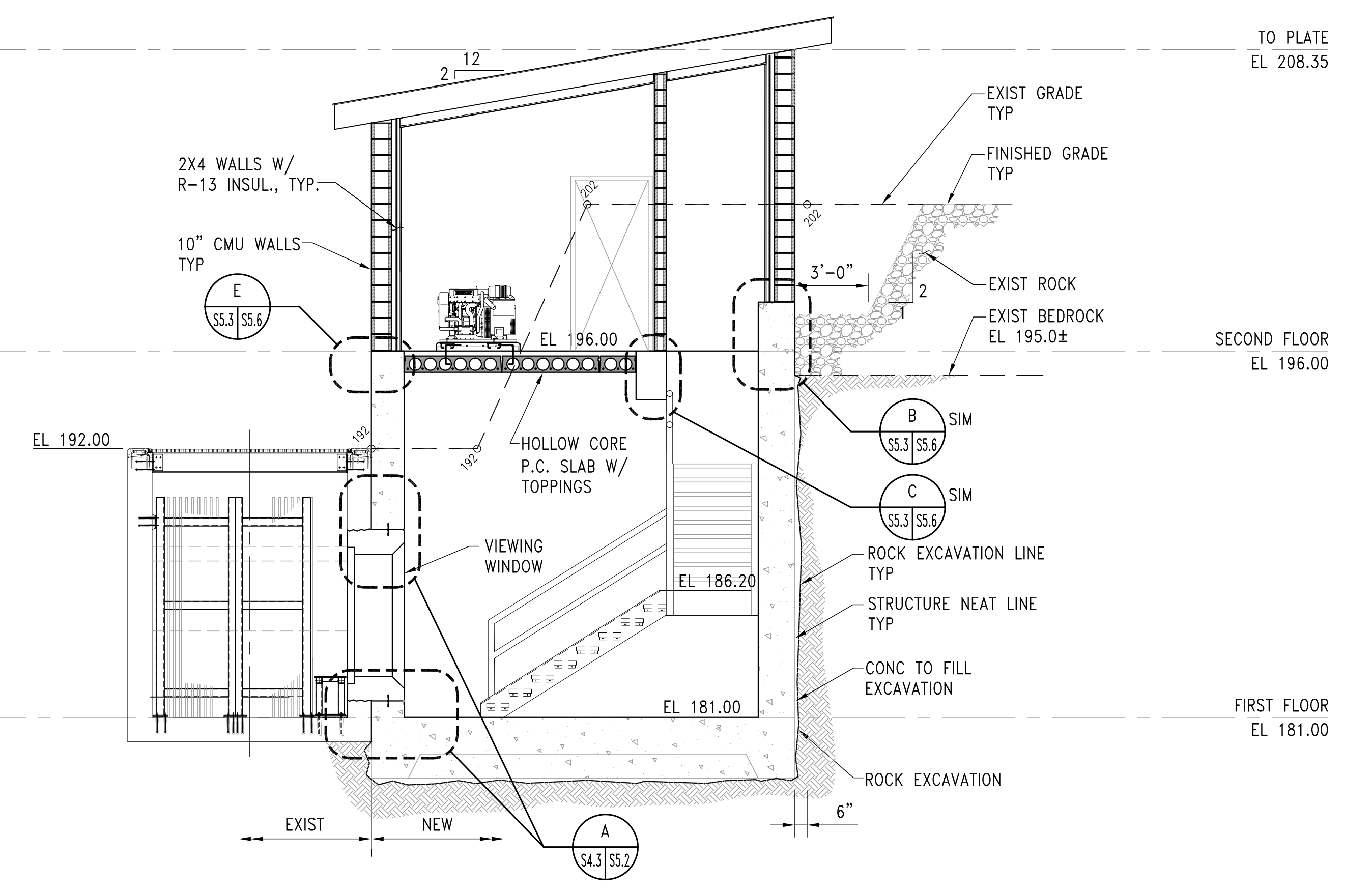


VERIFY SCALE
 BAR IS ONE INCH ON ORIGINAL DRAWING
 IF NOT ONE INCH ON THIS SHEET, ADJUST SCALES ACCORDINGLY

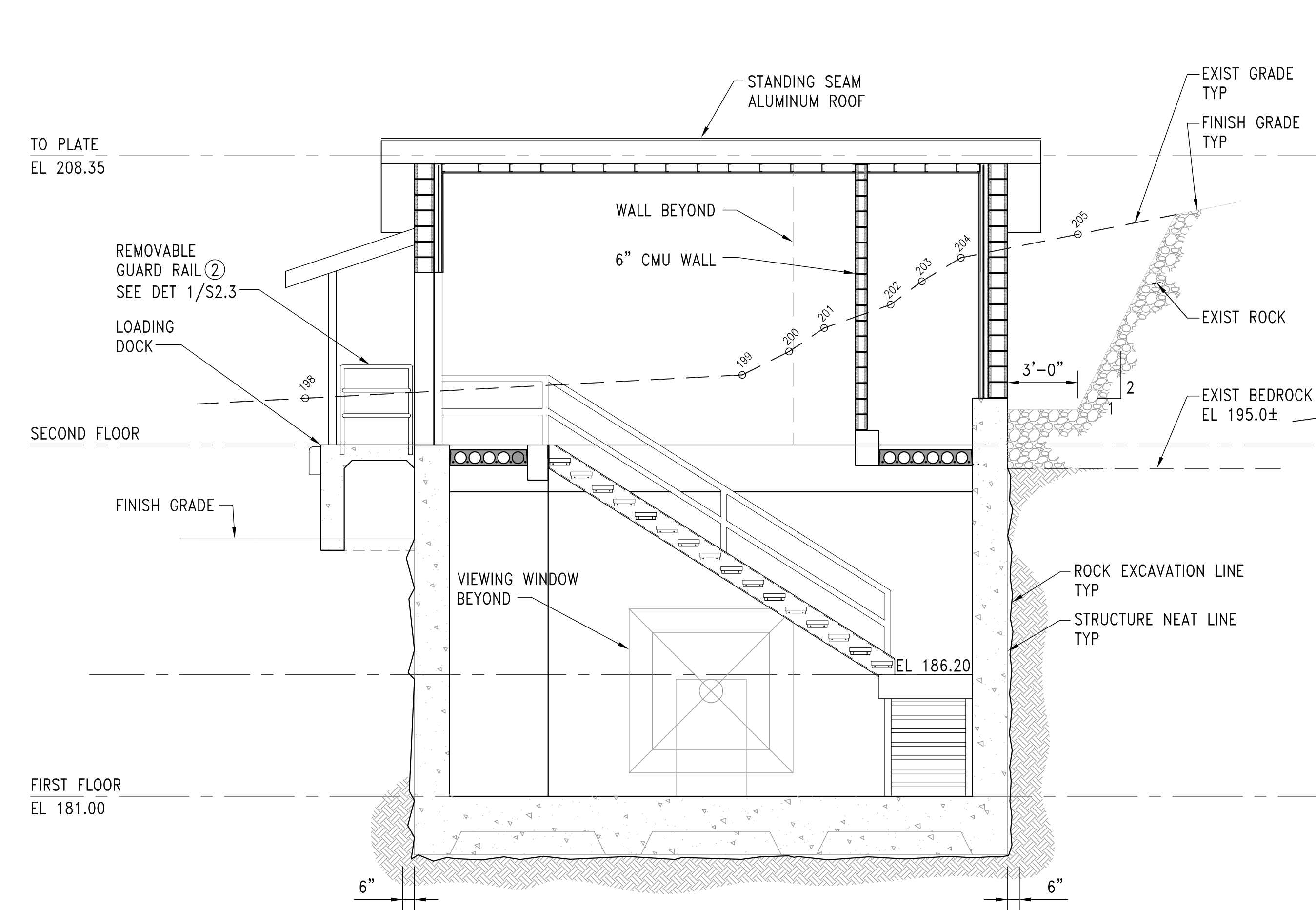
SCALE:	CHK BY:	JRH	DRW BY:		REF:
DATE:					
REVISION	DESCRIPTION				



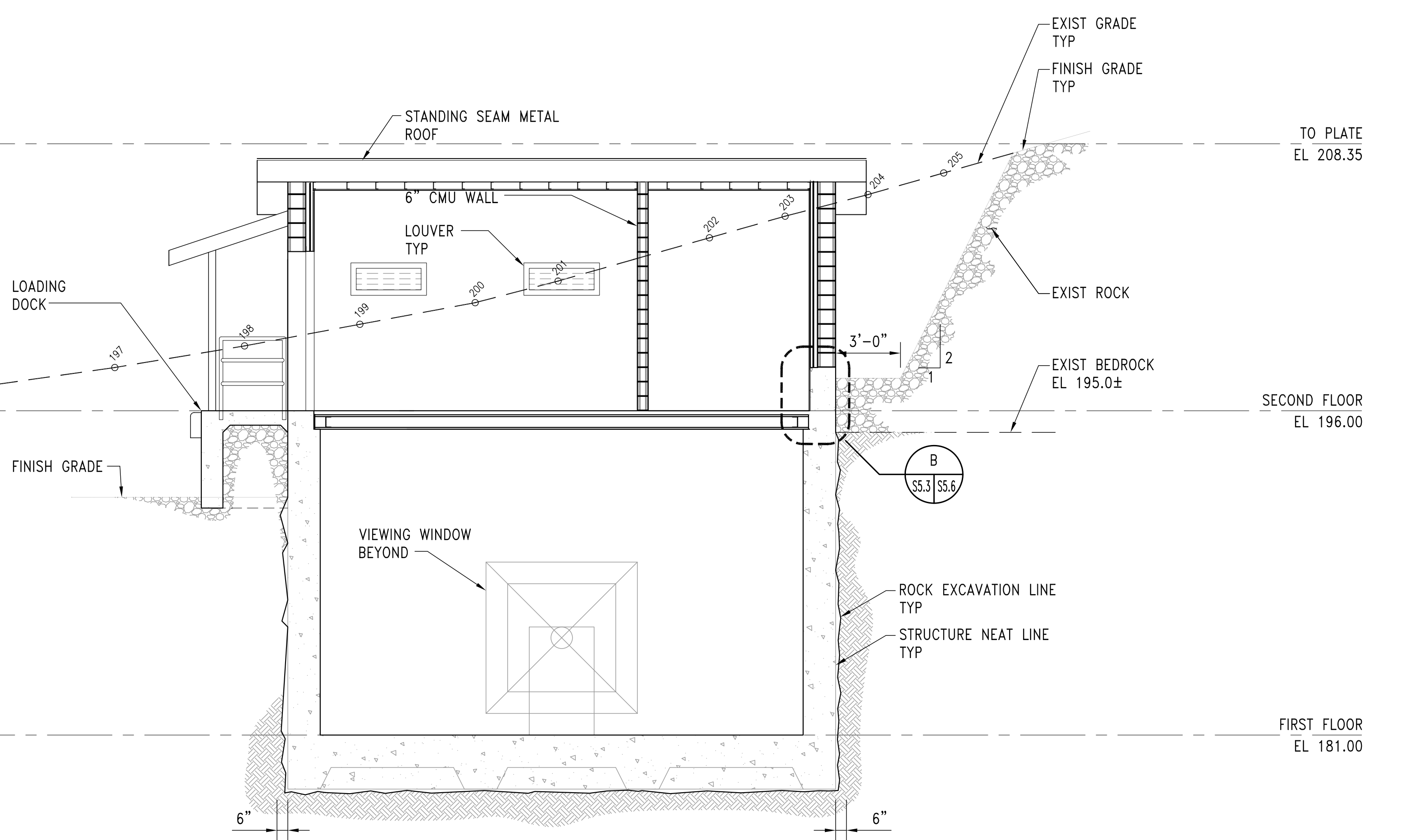
BUILDING SECTION A
 SCALE: 1/4" = 1'-0"



BUILDING SECTION B
 SCALE: 1/4" = 1'-0"



BUILDING SECTION C
 SCALE: 1/4" = 1'-0"



BUILDING SECTION D
 SCALE: 1/4" = 1'-0"

2 0 2 4 6 8 10
 SCALE IN FEET
 1/4" = 1'-0"

HARBOR CONSULTING ENGINEERS
 ENGINEERS • PLANNERS • SURVEYORS
 3006 FUHRMAN AVENUE EAST
 SEATTLE WASHINGTON 98102
 PHONE: (206) 709-2397

**CASTLE FALLS FISHWAY
 FISH ENUMERATION FACILITY**
 YAKAMA NATION, TOPPENISH WASHINGTON
 OBSERVATION BUILDING
 BUILDING SECTIONS

JOB NO. 08034.01
 DATE: 01.05.10
 SHEET: 41 OF XX
 DWG.# S5.3

BID SET NOT FOR CONSTRUCTION